

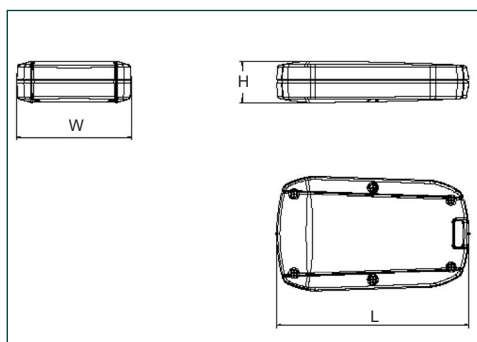
# 93 series IP67 portable plastic keyfobs



## Product overview

IP67 handheld enclosures with TPE sides for comfortable feel.

- Two sizes available in three colour combinations
- Plain and battery compartment options as standard (CR2032 coin cell)
- TPE side grip provides a comfortable feel as well as protection from impact
- Suitable for remote controls, keyfobs, wireless devices, RFID, GPS tracking and more
- 93 series has been designed to meet the requirements of IP67



SPECIFICATION		
Materials	Top cover and bottom cover Battery cover Battery contact O-ring Screw	ABS UL94-HB / TPE (Black, Black Blue, White Grey) ABS UL94-HB, black Stainless steel SUS304 nickel plated Silicone, black Stainless steel SUS304, unfinished
Operating temperature	-10°C to +50°C	
Protection class	93 series has been designed to meet the requirements of IP67	
Standard unit includes	X1 Top cover and x1 bottom cover: X1 Battery cover * X1 Battery contact * x1 O-ring * X7 Screws * = battery versions only	

## Black enclosure black grip

PART NO.	LENGTH	WIDTH	HEIGHT	BATTERY TYPE
CHH931NBB	72mm	43mm	15.5mm	None
CHH931BBB	72mm	43mm	15.5mm	1x CR2032 battery compartment
CHH932NBB	90mm	44.2mm	15.7mm	None
CHH932BBB	90mm	44.2mm	15.7mm	1x CR2032 battery compartment



## Black enclosure blue grip

PART NO.	LENGTH	WIDTH	HEIGHT	BATTERY TYPE
CHH931NBL	72mm	43mm	15.5mm	None
CHH931BBL	72mm	43mm	15.5mm	1x CR2032 battery compartment
CHH932NBL	90mm	44.2mm	15.7mm	None
CHH932BBL	90mm	44.2mm	15.7mm	1x CR2032 battery compartment



## White enclosure light grey grip

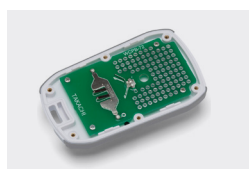
PART NO.	LENGTH	WIDTH	HEIGHT	BATTERY TYPE
CHH931NWG	72mm	43mm	15.5mm	None
CHH931BWG	72mm	43mm	15.5mm	1x CR2032 battery compartment
CHH932NWG	90mm	44.2mm	15.7mm	None
CHH932BWG	90mm	44.2mm	15.7mm	1x CR2032 battery compartment



## ACCESSORIES

### PCB

- Glass epoxy board (FR-4), through holes on both sides, 2.54mm hole pitch
- Designed with a battery contact hole
- Battery contact position and direction are printed on the PCB
- Please use battery contacts included with the enclosures



PART NO.	CASE TYPE
CHH93PCB1	Size 1 (72mm x 43mm x 15.5mm)
CHH93PCB2	Size 2 (90mm x 44.2mm x 15.7mm)